

HYDRIM[®] C51w



- **Operator's Manual**

SciCan

www.scican.com

HYDRIM C51w Operator's Manual 95-109074 Rev 2.0.

Table of Contents

1. Introduction	2
2. Important Information	3
3. Disclaimers	4
4. Instructions for Use	5
4.1 Instrument Reprocessing Recomendations	
4.2 Cycle Description Chart	
4.3 Baskets and Accessories	
4.4 The Cannula Post	
4.5 Activating the Washer	
4.6 Unloading Instruments	
5. Maintenance	10
5.1 Loading the Hydrim C51w Cleaning Solution	
5.2 Filling The Water Softener and Rinse Aid Reservoir	
5.3 Using Rinse Aid	
5.4 Cleaning the Hydrim C51w	
5.5 Filter and Wash Arm Maintenance	
6. Troubleshooting	14
7. Warranty	16
8. Hydrim C51w Specifications	17

For all service and repair inquiries:

Canada: 1-800-870-7777

United States: 1-800-572-1211

International: (41-41) 727 -7027

Email: techservice.ca@scican.com

Manufactured by:

SciCan

1440 Don Mills Road,

Toronto ON M3B 3P9

CANADA

Phone: (416) 445-1600

Fax: (416) 445-2727

Toll free: 1-800-667-7733



HYDRIM and STATIM are registered trademarks of SciCan, Division of Lux and Zwingenberger Ltd. Sys™ and STAT-DRI are trademarks of SciCan, Division of Lux and Zwingenberger Ltd. All other trademarks referred to in this manual are the property of their respective owners.

1. Introduction

Congratulations on your selection of the Hydrim C51w high speed instrument washer. The Hydrim C51w is designed to complement the Statim family of autoclaves by quickly and hygienically preparing soiled instruments for sterilization.

To ensure years of safe, trouble-free service, carefully review this Operator's Manual before operating the unit. The Hydrim C51w is suitable only for the applications listed in this user manual; use for other purposes may be dangerous. The manufacturer cannot be held responsible for damage caused by improper use.

Operational, maintenance, and replacement instructions must be followed for the product to perform as designed. All trademarks referred to in this manual are the property of their respective owners. Contents of this manual are subject to change without notice to reflect changes and improvements to the Hydrim product.

The Hydrim C51w should only be installed and serviced by a qualified contractor as it is an Installation Category 2 device. Before connecting the unit, the installer should check that the voltage and frequency of the electrical supply correspond with the details in the installation instructions. Please note, this unit is completely isolated from the electrical supply only when it is unplugged or the circuit breaker is turned OFF. This must be done before any repair work is carried out.

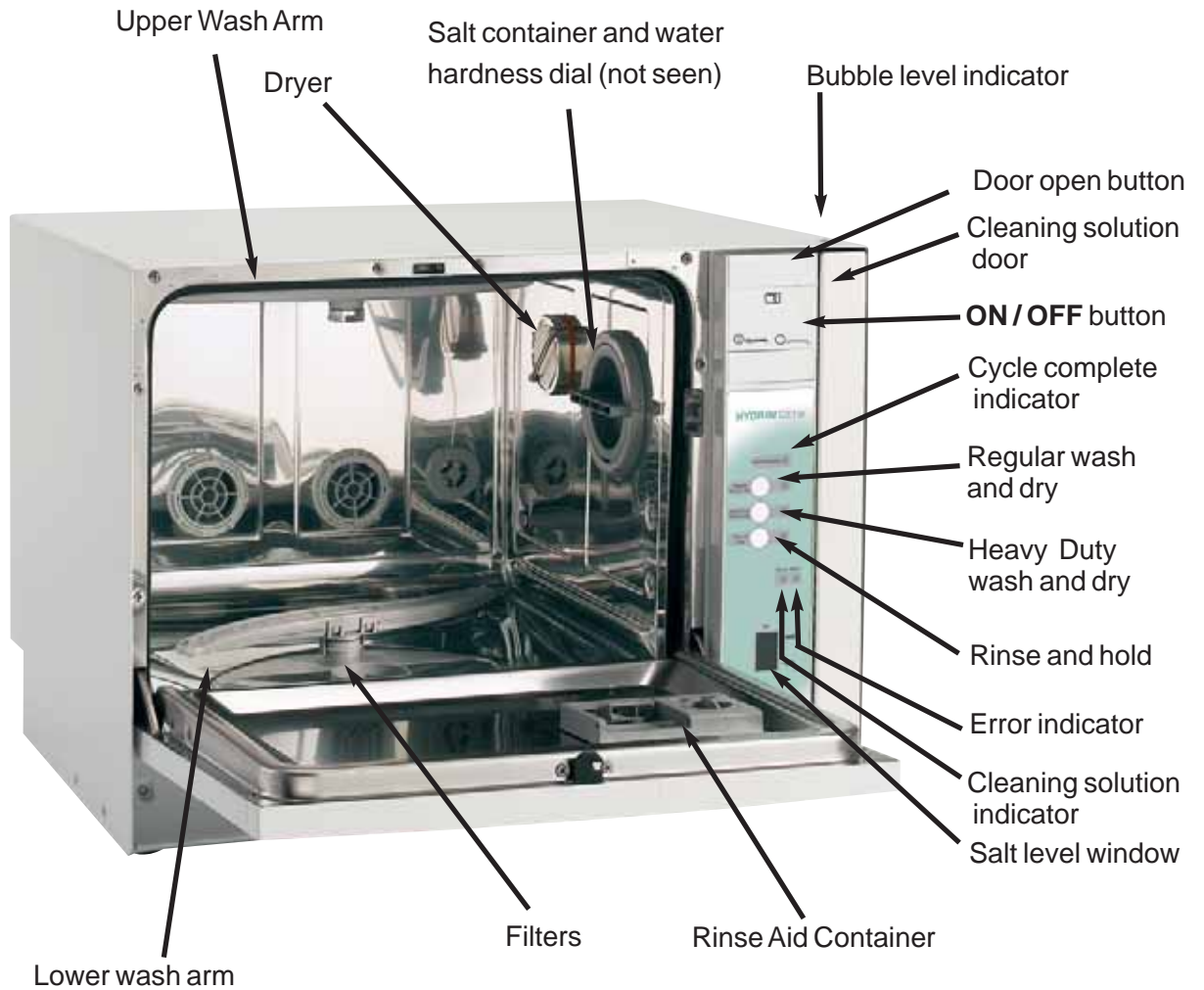
NOTE: The Hydrim C51w uses exclusively Hydrim Cleaning Solution. The unit will not perform as outlined by SciCan using other detergents / cleaning products. Other detergents / cleaning products may damage the unit, the instruments, cause excessive foaming, and void the warranty.

Do not use solvents in this unit. Do not allow small children or unauthorized personnel access to this unit or its controls.

Level the unit using the adjustable feet underneath the unit. Use the bubble level indicator on the top right hand side of the unit to verify that it is properly leveled.

2. Important Information

Figure 1



The following symbols appear on the unit:



Door Open



Power ON
 (button recessed)



Power OFF
 (button flush)



Caution,
 Hot Surface



Caution, a
 potential hazard
 to the operator.

The following symbols appear in this book.



Caution, a potential
 hazard to the operator.



Important information



A situation which may lead
 to a mechanical failure.

3. Disclaimers



Do not permit any person other than authorized personnel to supply parts for, service or maintain your Hydrim C51w. SciCan shall not be liable for incidental, special or consequential damages caused by any maintenance or services performed on the Hydrim C51w by unauthorized personnel, or for the use of equipment or parts manufactured by a third party, including lost profits, any commercial loss, economic loss, or loss arising from personal injury.

Never remove the cover of the unit and never insert objects through holes or openings in the cabinetry. Doing so may damage the unit and / or pose a hazard to the operator. If the unit is used in a manner other than that specified, the protection provided by the equipment may be impaired.

Allow only trained and authorized personnel to operate the unit.

Cleaning solutions may irritate. Avoid contact with eyes and mouth.

Never sit, stand or lean on the open door. The unit may tip forward causing injury.

Always turn the unit **OFF** before adding softener salt, adding solutions or performing routine maintenance to the unit. For further information or questions about the Hydrim C51w, contact your authorized dealer or:

SciCan

1440 Don Mills Road,
Toronto ON M3B 3P9
CANADA
Phone: (416) 445-1600
Fax: (416) 445-2727
Toll free: 1-800-667-7733

EU Representative:

BHT Hygienetechnik GmbH

Messerschmittstr. 11,
D-86368 Gersthofen
GERMANY
Phone: 49-0821-278-930
Fax: 49-0821-78-40-99

SciCan Medtech

Alpenstrasse 16
6300 Zug
SWITZERLAND
Phone: (41-41) 727 -7027
FAX: (41-41) 727 -7029

SciCan Inc.

500 Business Center Drive
Pittsburgh, PA 15205
USA
Phone: (412) 494-0181
Fax: (412) 494-4794
Toll free: 1-800-572-1211

For all service and repair inquiries

Canada: 1-800-870-7777
United States: 1-800-572-1211
International: (416) 446-4500
Email: techservice.ca@scican.com

www.scican.com

4. Instructions for Use

4.1 Instrument Reprocessing Recommendations

When used correctly, the Hydrim C51w is effective for the removal of debris on instruments that may result in the insulation of microorganisms during a terminal sterilization. Prior to inserting your instruments into the Hydrim, consult the manufacturer's reprocessing instructions.

All critical and semi-critical instruments can be considered clean after processing in the Hydrim C51w. Critical instruments are used to penetrate soft tissues or bone, for example forceps, scalpels, and needles. Non-critical instruments are devices that come into contact only with unbroken skin. Non-critical instruments can be terminally processed in the Hydrim C51w.

Examples of instruments suitable for washing in the Hydrim C51w include:

Dental Instruments	<ul style="list-style-type: none">Stainless steel scalers, spatulas, hemostats, evacuation tips (9 mm / 0.33" ID and 15 cm / 6" long).
Medical Instruments	<ul style="list-style-type: none">Stainless steel retractors, needle holders, skin hooks, tissue forceps, scissors, curettes, and other stainless steel instruments free of deep cavities.
All instruments should have the following properties	<ul style="list-style-type: none">heat resistance to a temperature of up to 70°C / 158°Fcorrosion resistance in the presence of heat and alkalinity.

Also, when assessing instrument suitability with Hydrim Cleaning Solution, reference these guidelines:

- Good quality stainless steel instruments are suitable for processing with Hydrim Cleaning Solution.
- Carbon steel, aluminum, nickel, and chrome or rhodium plated instruments may corrode in Hydrim Cleaning Solution. Examples of carbon steel are Hartzell tips and burrs.
- Stainless steel instruments that have working tips made of other materials may not be suitable for processing in Hydrim Cleaning Solution. Check with the manufacturer of the instrument for the material.
- Mechanical rotating instruments such as burrs, grinders and root canal instruments are not suitable for processing in Hydrim Cleaning Solution.
- Dental handpieces, microkeratomes, phaco tubing, fiberoptics and electrical equipment should not be processed in the Hydrim.

NOTE: SciCan recommends that all hinged instruments be placed in open baskets in the Heavy Duty cycle.

NOTE: If using the cannula post adapter, always use the Heavy Duty Cycle.

When processing small or light objects in the Hydrim use the basket with lid (SciCan part number 01-108294).

4. Instructions for Use cont'd.

4.2 Cycle Description Chart

Cycle	Rinse and Hold*	Regular Wash & Dry	Heavy Duty Wash & Dry
Description	Use to prevent soil from drying on instruments and if wash cycle is not immediately desired.	Use for moderately soiled loose instruments	Use for heavily soiled instruments or cassettes or if using the cannula post.
Wash Temperature	Stage 1: 35°C / 95°F Stage 2: 50°C / 122°F	50°C / 122°F	50°C / 122°F
Wash / Rinse Time (min.)**	8 minutes	19 minutes	22 minutes
Dry Time	Not Available	10 minutes (factory pre-set time). Can be extended	10 minutes (factory pre-set time). Can be extended.
Water Consumption	6 litres / 1.59 gallons	17 litres / 4.5 gallons	17 litres / 4.5 gallons

* This cycle is not a wash cycle and is not suitable for processing instruments prior to reuse. Always run a wash cycle following the rinse and hold cycle.

** Cycle times depend on the temperature of incoming water.

4.3 Baskets and Accessories

Observe the instrument manufacturer's recommendations for cleaning and care. When loading the unit, arrange loose instruments so that they do not touch one another. Instruments with concave surfaces or cavities should be placed so that water can drain freely.



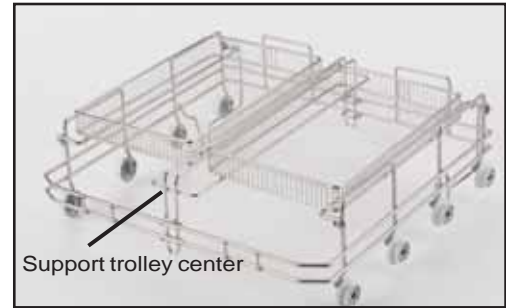
The Hydrim C51w wash trolley can be configured in a number of different ways to accommodate a wide range of instruments. On the trolley you can insert open baskets, Sys™™ or IMS™™ cassettes (maximum cassette size: 303.5 mm x 386.25 mm or 11" x 14") and the cannula post.

NOTE: Some items are not standard with the unit.

4. Instructions for Use cont'd.

1. Baskets Only

A variety of baskets can be used in the Hydrim C51w. The Statim[®] 2000 or Statim 5000 baskets and the basket with hinged lid require the support trolley center. The large basket requires the support rack (not shown).



Part Name	Order Number	Part Dimensions
Statim 2000 basket	01-107240	275 mm x 178 mm x 32 mm (10.8" x 7" x 1.3")
Statim 5000 basket	01-107241	373 mm x 178 mm x 42 mm (14.7" x 7" x 1.7")

2. Basket With Hinged Lid



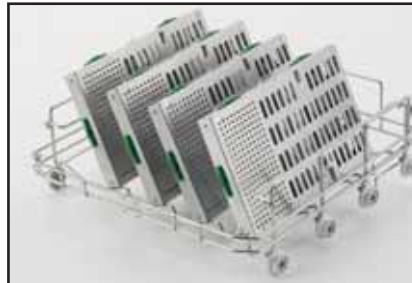
Order Number: 01-108294
Dimensions: 216 mm x 140 mm x 54 mm
 (8.5" x 5.5" x 2.13")

3. Large basket



Large Basket
Order Number: 01-108210
Dimensions: 350 mm x 368 mm x 64 mm (13.75" x 14.5" x 2.5")
Support Rack for Large Basket Order Number: 01-108214
Dimensions 350mm x 350mm X 48mm
 (13 3/4 X 13 3/4 X 1 7/8")

4. Cassette

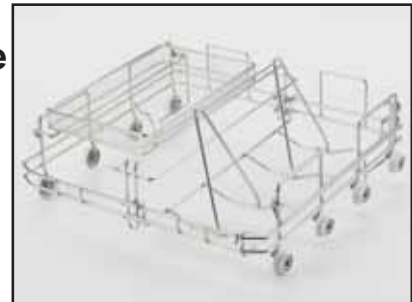


4 cassette rack

Four Cassette Rack Order Number: 01-109153

5. Basket and single cassette

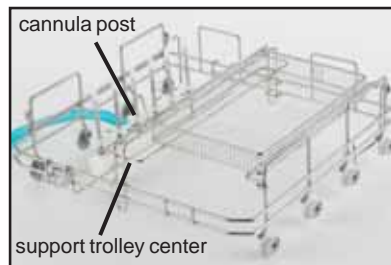
With this option, the support trolley center is required with the single, sloped rack.



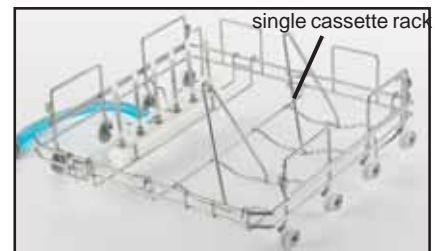
Single Cassette Rack Order Number: 01-107242

6. Basket and cannula post

With this option the support trolley center is required with the cannula post.



7. Cannula post and single cassette



Cannula post Order Number : 01-107244

4. Instructions for Use cont'd.

4.4 The Cannula Post

To wash hollow instruments, or instruments with large internal cavities, the cannula post can be attached to the upper wash arm collar. Instruments with an internal diameter of less than 9 mm / 0.35" should **NOT** be inserted onto the cannula post.

To attach the cannula post, follow these steps:

1. Remove the upper wash arm plug (fig. 2a) and replace it with the cannula nut (fig. 2b). Ensure that the three pieces of the cannula nut are assembled as shown.
2. Hook the cannula rack onto the trolley and place the cannula post into it.
3. Insert the wash trolley into the Hydrim C51w.
4. Push the cannula hose into the upper wash arm collar (fig. 2c). There will be slight resistance. When it is secured in place, you will detect a slight click.
5. To remove the cannula post, reverse the above procedure.

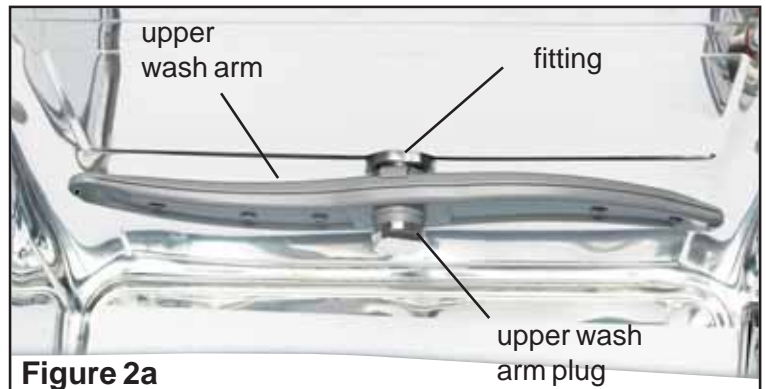


Figure 2a

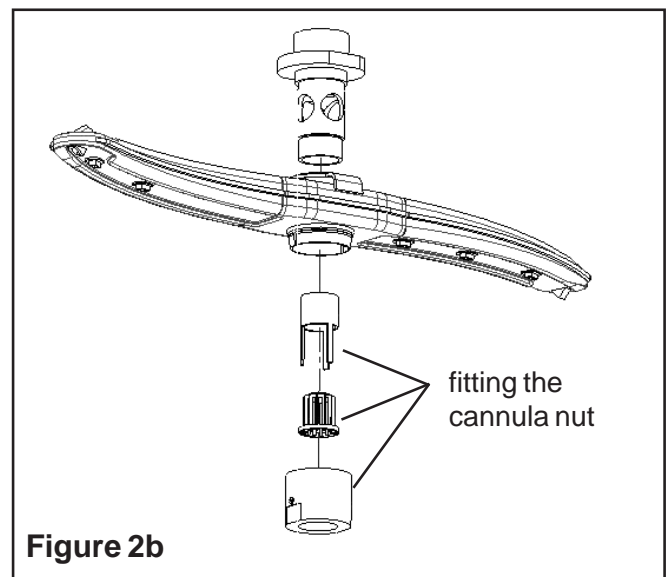


Figure 2b

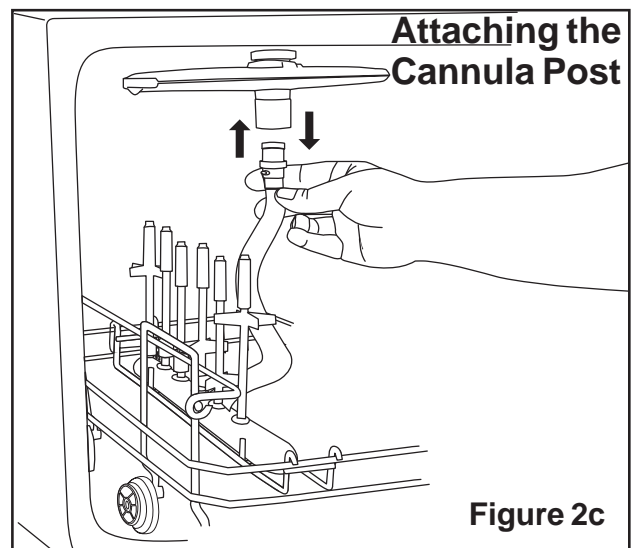


Figure 2c

4. Instructions for Use cont'd.

4.5 Activating the Washer

Prior to activating the washer, follow these steps:

1. Check that the water supply is ON.
2. Power the unit ON.
3. Check that there is sufficient cleaning solution.
4. Visually inspect the wash arms to see if there is material clogging the holes.
5. Ensure that the coarse filter screen and fine filter screens have been cleaned and are in place.



NOTE: The cleaning solution indicator light will be flashing if more solution is required.

NOTE: For explanations regarding filter and wash arm maintenance, see section 5.5.

To activate the washer, follow these steps:

1. Press the door open button.
2. Load instruments according to the instructions in section 4 of this manual
3. Close door.
4. Press the On/Off button
5. Select the appropriate cycle according to the instructions in section 4.2
6. When the cycle is complete, the cycle complete indicator will be lit

4.6 Unloading Instruments

To unload instruments, follow these steps:

1. Wait until the cycle complete indicator is lit
2. Press the on/off button to turn the unit off.
3. Press the door open button to open the door.
4. Remove the instruments from the washer.
5. Inspect the instruments for debris prior to packaging / sterilizing.

Instruments may be HOT when cleaning cycles are complete.



5. Maintenance

5. Maintenance

5.1 Loading the Hydrim C51w Cleaning Solution

The Hydrim C51w uses a 1.9 L / 0.5 U.S. gallon container of Hydrim C51w Cleaning Solution. Use only the recommended cleaning agent and be sure to read the caution instructions on each bottle before inserting into the unit.

There are two types of cleaning solution available:

1. **Regular Hydrim Cleaning Solution (part number CS-C51W)**
2. **pH Neutral Hydrim Cleaning Solution (part number CSN-C51W)**

pH Neutral Hydrim Cleaning Solution should be used when processing Hu-Friedy® XTS™ instruments.

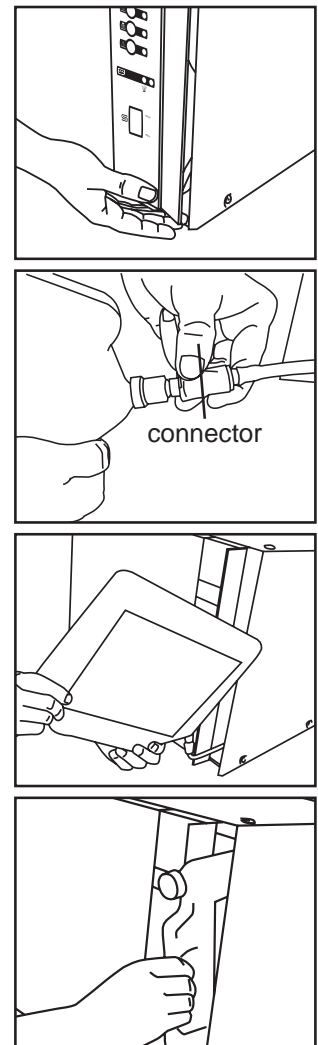
To order additional Hydrim C51w Cleaning Solution, contact your local dealer. When the cleaning solution indicator is activated, the cleaning solution container is empty and is in need of changing. To avoid spillage, replace the solution container only when the indicator light is **ON** and be sure to wear gloves.

NOTE: Each bottle should last approximately 33 cycles.

To replace the cleaning solution container, follow these steps:

1. Turn the power switch **OFF**.
2. Pull open the cleaning solution door.
3. Disconnect the cleaning solution connector.
4. Remove the empty cleaning solution connector and discard or recycle. Ensure the connector is clean and free of residue.
5. Connect new bottle and insert into the cleaning solution compartment. Follow the instructions printed on the back of each cleaning solution container.
6. Close the door.

Figure 3



5. Maintenance



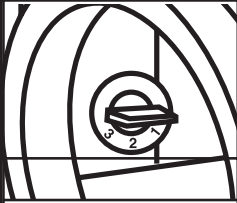
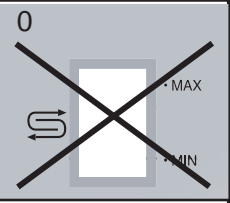
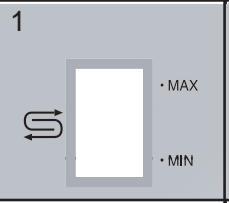
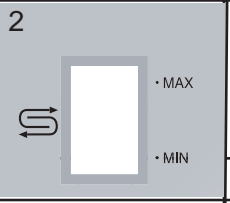
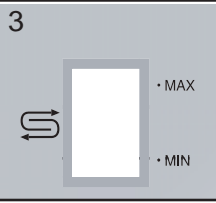
5.2 Filling the Water Softening Reservoir

Ensure the water softener has been set according to the water hardness in your area.

To fill the water softener container, follow these steps:

1. Pour 0.5 litre / 16 U.S. fl. oz. of water into the water softener container.
2. Fill the container with water softening salt. (The container will hold up to 0.5 kg / 1.1 lbs of salt.)
3. Screw the container back into position.
4. Ensure that the container is completely sealed so that no cleaning solution can contaminate the reservoir.
5. Adjust the water hardness dial to the setting closest to your water hardness. (If streaks or water spots appear, turn the water hardness dial to a higher number.)

Note: After refilling the salt container, always run a complete wash cycle with no instruments.

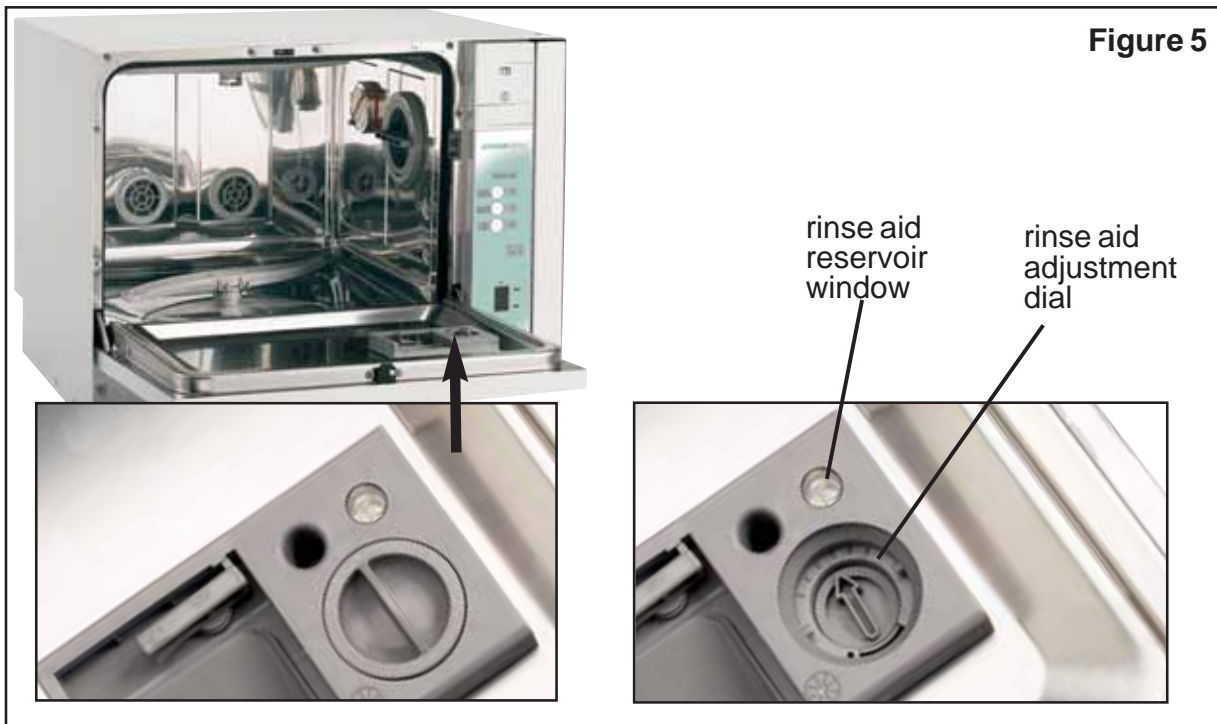
				
ppm or mg / l	0-110	120-360	370 - 510	520 - 890

water hardness dial



Figure 4

5. Maintenance cont'd.



5.3 Using Rinse Aid

SciCan recommends using STAT-DRI™ Plus. STAT-DRI Plus can be purchased in a 230 ml / 8 U.S. fl. oz. refill or a 1 L / 34 U.S. fl. oz. refill. STAT-DRI Plus is available from your dealer or you can contact SciCan directly for order information.

A maximum of 60 ml / 2 U.S. fl. oz. of rinse aid can be added at one time. This amount will last approximately 20 - 25 rinses if the rinse aid adjustment dial is on setting 3. If the rinse aid reservoir window appears dark, the container is full.

To add rinse aid, follow these steps (see figure 5):

1. Turn the power switch **OFF**.
2. Open the door.
3. Turn the rinse aid reservoir cap counter-clockwise and remove it.
4. Pour rinse aid into the rinse aid reservoir until the window turns dark.
5. Replace the cap securely.
 - If streaks appear, turn the rinse aid adjustment dial back.
 - If water spots appear, turn the rinse aid adjustment dial to a higher number.

5. Maintenance cont'd.

5.4 Cleaning the Hydrim C51w



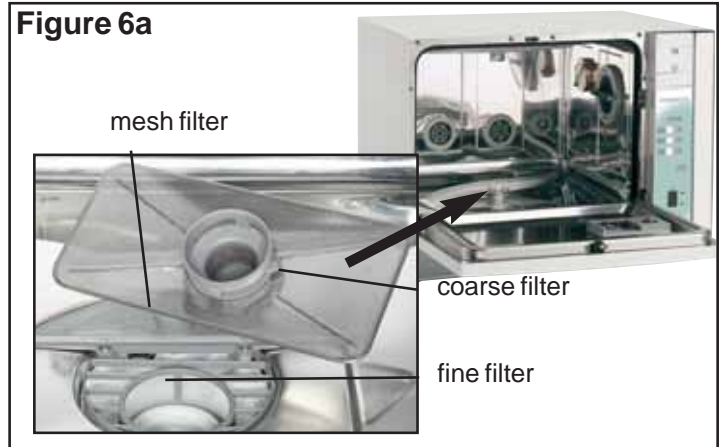
To clean all outside surfaces, use a soft cloth moistened with soap and water only. Do not use harsh cleaning chemicals or disinfectants.

5.5 Filter and Wash Arm Maintenance

Filter Maintenance:

Inspect the coarse and fine filters **daily** for debris and clean if necessary.

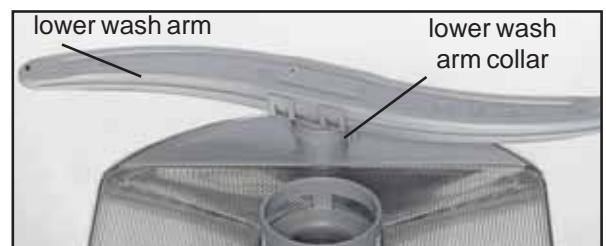
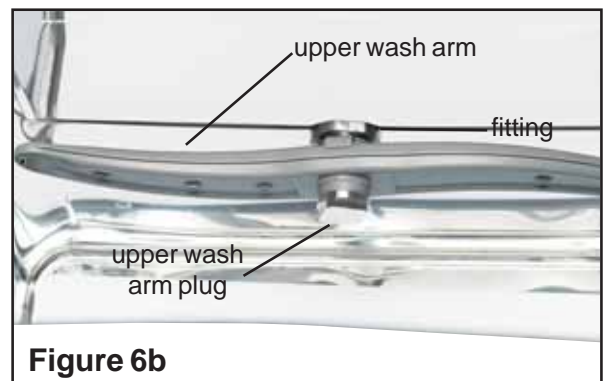
1. Grasp the handle in the center of the coarse filter and turn it 90° counter-clockwise. (To reinsert the coarse filter, turn the handle clockwise.)
2. Remove the coarse filter.
3. Remove the fine filter.
4. Clean both filters by rinsing them in tap water.
5. Re-assemble, ensuring that the coarse filter is locked in place.



Wash Arm Maintenance:

Inspect the wash arms **weekly** for debris and clean if necessary.

1. Open the unit door and remove the wash rack from the unit.
2. Hold the fitting and unscrew the upper wash arm plug.
3. Remove the upper wash arm.
4. Using two hands, grasp both ends of the lower wash arm on the underside.
5. Pull the lower wash arm upwards.
6. Inspect both sides of the wash arms for debris in the nozzles. Remove the debris where necessary.
7. Rinse both wash arms with tap water.
8. Reassemble the wash arms.



6. Troubleshooting

Problem	Possible Causes and Solutions
Instruments are not clean	<ul style="list-style-type: none"> • Check that the machine is level. • Do not overload cassettes • Do not load too many cassettes into the Hydrim • Use the Heavy Duty cycle for cassettes and hinged instruments • Check that the cleaning solution is dispensing properly. • Check filters and wash arms for debris.
Unit lights do not come ON .	<ul style="list-style-type: none"> • The power button has not been turned to ON. • The plug might not be properly inserted into the wall socket. • A fuse or circuit might be blown – call service for assistance.
The unit does not power ON .	<ul style="list-style-type: none"> • The door may not be properly closed.
The upper wash arm does not rotate with ease.	<ul style="list-style-type: none"> • Pull the upper wash arm off and clean it • Clean the upper wash arm collar.
The washer door cannot be opened.	<ul style="list-style-type: none"> • The main switch is not turned OFF. • The door open button may not be pressed hard enough. • Instruments are not properly arranged in the unit.
Wash cycles are taking too long to complete.	<ul style="list-style-type: none"> • The water is not hot. Contact your local SciCan dealer.
The Cleaning Solution level is not decreasing.	<ul style="list-style-type: none"> • Check for kink in tubing. • Contact your local SciCan dealer.
None of the above happens and the unit still does not work.	<ul style="list-style-type: none"> • Contact your local SciCan dealer.

6. Troubleshooting

Problem	Possible Causes and Solutions
Error light flashes once.	<ul style="list-style-type: none"> • The water is not heating to the wash cycle specifications. • Contact your SciCan Dealer if problem persists.
Error light flashes twice.	<ul style="list-style-type: none"> • The unit has failed to fill with water. • Contact your SciCan Dealer if problem persists.
Error light flashes three times.	<ul style="list-style-type: none"> • The water temperature reading has failed. • Contact your SciCan Dealer if problem persists.
Error light flashes four times.	<ul style="list-style-type: none"> • This is caused by the water failing to leave the unit. • Check the exhaust tube for kinks and ensure that it is connected to an unblocked drain. • Contact your SciCan Dealer if problem persists.
Spots on instruments	<ul style="list-style-type: none"> • Use Rinse Aid. • Open the door slightly at the end of the cycle.
Stains / Rust appears on instruments	<ul style="list-style-type: none"> • Use Rinse Aid. • Incompatible instruments in load. • Do not mix carbon steel with stainless steel instruments. • Open door slightly at the end of the cycle.
Instruments are not dry.	<ul style="list-style-type: none"> • Instrument overloading. • Dryer fault. • Dryer inlet blocked. • The air circulation is obstructed at the rear of the unit. • Extend drying time. • Contact your local SciCan technician.



NOTE: Fuses should **NOT** be replaced by the operator. Call a certified service technician for assistance.

7. Warranty

Limited Warranty

For a period of one year, **SciCan** guarantees that the **Hydrim C51w**, when manufactured in new and unused condition, will not fail during normal service due to defects in material and workmanship that are not due to apparent abuse, misuse, or accident.

In the event of failure due to such defects during this period of time, the exclusive remedies shall be repair or replacement, at **SciCan's** option and without charge, of any defective part(s), provided **SciCan** is notified in writing within thirty(30) days of the date of such a failure and further provided that the defective part(s) are returned to **SciCan** prepaid.

This warranty shall be considered to be validated, if the product is accompanied by the original purchase invoice from the authorized **SciCan** dealer, and such invoice identifies the item by serial number and clearly states the date of purchase. No other validation is acceptable. After one year, all **SciCan's** warranties and other duties with respect to the quality of the product shall be conclusively presumed to have been satisfied, all liability therefore shall terminate, and no action or breach for any such warranty or duty may thereafter be commenced against **SciCan**.

Any express warranty not provided hereon and any implied warranty or representation as to performance, and any remedy for breach of contract which, but for this provision, might arise by implication, operation of law, custom of trade or course of dealing, including any implied warranty of merchantability or of fitness for particular purpose with respect to all and any products manufactured by **SciCan** is excluded and disclaimed by **SciCan**.

If you would like to learn more about **SciCan** products and features, visit our website at www.scican.com.

8. Specifications

Dimensions / mass:

Height:	475 mm / 18.75"
Width:	600 mm / 23.6"
Depth:	460 mm / 18.25"
Depth with door open:	780 mm / 30.7"
Weight:	34 kg / 75 lbs
Running Noise:	60 dBA
Hot water connection:*	50-70°C / 122-158°F
Rinse aid dispenser:	60 ml / 2 U.S. fl. oz. capacity
Water softener:	0.5 kg / 1.1 lbs salt capacity
Filling system:	3.5 L / 120 U.S. fl. oz. safety maximum
Wash temperature:	50°C / 122°F +/- 5°C / 9°F
Drying System:	Heater 1 kw

Electrical Connection:

North America:	208-240 V 60 Hz 10 A
Europe:	220-240 V 50 Hz 10 A

Other:

Equipment pollution degree:	Pollution Degree 2
Equipment installation category:	Installation category II
Maximum relative humidity:	80% for temp up to 31°C / 88°F 50% for temp up to 40°C / 104°F
Operating temperature range:	-5°C to 40°C (23 - 104°F)
Max. altitude:	2000m / 6561.7ft.
Mains supply:	+ / -10% of nominal

* If hot water temperature is less than 50°C / 122°F, and if the power line is 240V, allow 30 minutes between cycles.