

Hydrim® L110w Quick Reference Guide

For best results:

Use Stat-Dri Plus rinse aid (part number 8OZPLUS) to prevent spotting.

P0 should be used to keep instruments moist when they will not be washed within one hour.

P1 and P2 should be used to wash instruments in baskets.

P3 and P4 should be used to wash instruments in cassettes and heavily soiled instruments.

Caution:

1. Hydrim Cleaning Solution is compatible with solid stainless steel instruments that are resistant to heat and alkalinity.
2. Carbon steel, aluminum, nickel and rhodium-plated instruments may corrode in Hydrim Cleaning Solution. Do not process burrs or endofiles in the Hydrim.
3. Do not process stainless steel and carbon steel instruments at the same time.

Shines when cleaning solution needs changing
Flashes when rinse-aid needs filling

CHEMICAL	P0 Rinse and hold	8 min.*
	P1 Regular wash	20 min.*
	P2 Regular wash and dry	30 min.*
	P3 Heavy duty wash	30 min.*
SALT	P4 Heavy duty wash and dry	40 min.*

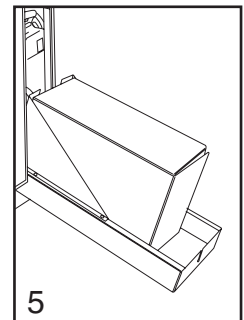
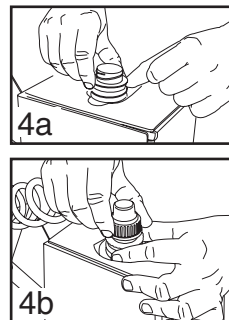
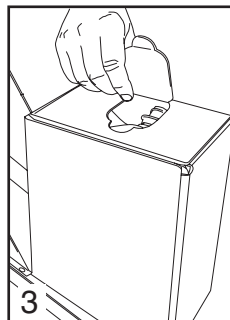
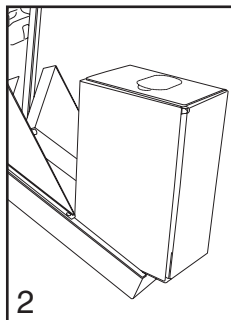
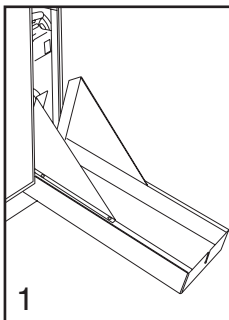
Shines when salt needs refilling

*Actual cycle time will vary depending on incoming water temperature and pressure

Replacing the Hydrim Cleaning Solution:

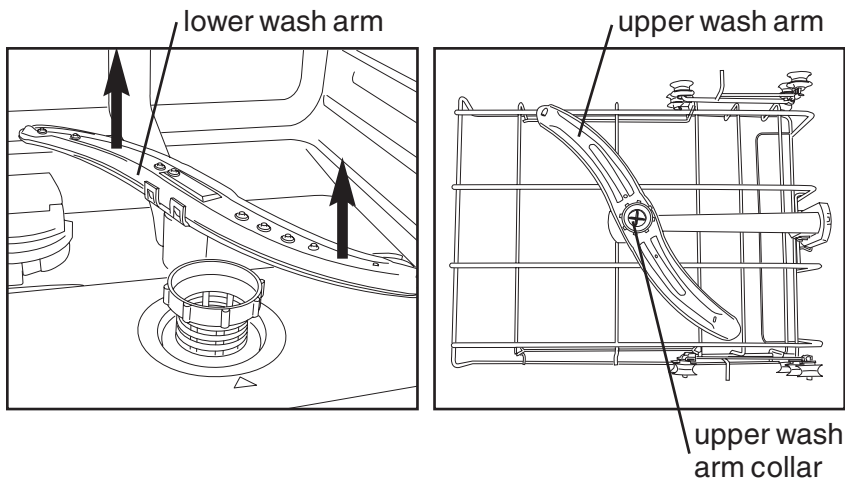
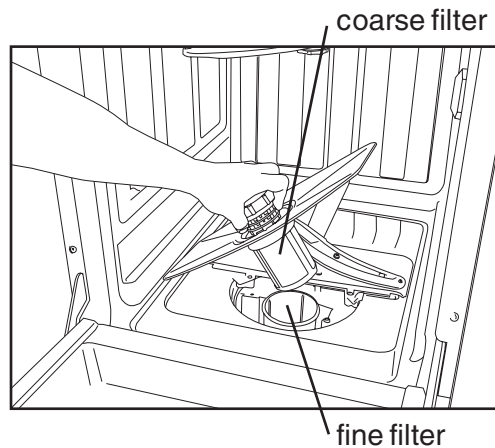
When the chemical indicator light shines continuously, and Ed appears on the display, the solution level is low and the container is in need of replacement.

1. Open the cleaning solution door.
2. Put a new cleaning solution box into the drawer upside down.
3. Tear open the tab.
- 4a. Pull out the spout and remove the protective cap.
- 4b. Attach the hose tightly to the connector on the cleaning solution box.
5. Place the box in the cleaning solution drawer and then close.



Filter Maintenance:

1. Check the filters daily for debris and remove if necessary.
2. After undoing the coarse filter, the fine filter can be removed. Remove any debris from the filter cavity and rinse the filters under running water.
3. Insert the filter units and tighten the coarse filter.



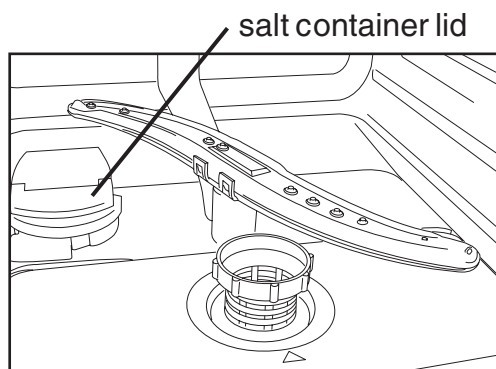
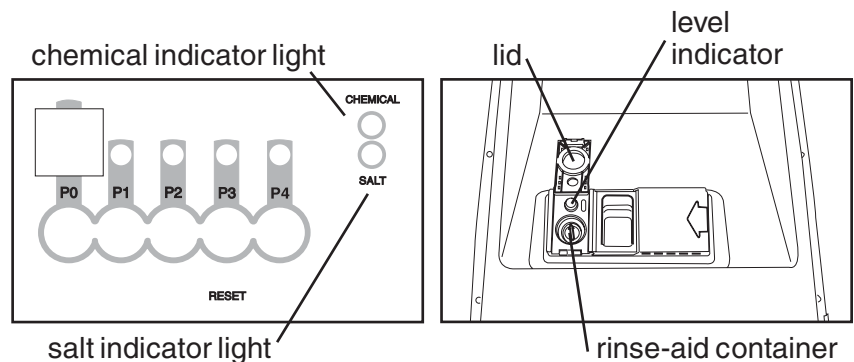
Wash Arm Maintenance:

1. Inspect the nozzles and wash arms weekly for blocked holes due to debris.
2. Pull the lower arm upwards and lift off.
3. Unscrew the upper wash arm collar and remove the upper wash arm.
4. Clean both wash arms under running water.
5. Refit the wash arms. Ensure that the lower wash arm has locked into place and the upper one is screwed tight.

Refilling the Rinse Aid:

When the chemical indicator light flashes, you will need to refill the rinse-aid container with Stat-Dri Plus.

1. Fold back the lid of the rinse aid container.
2. Pour the rinse-aid into the rinse-aid container until the level indicator darkens.
3. Close the lid ensuring you that you hear it snap.



Refilling the Water Softener:

If you have set the water softener to any setting above 0, the SALT indicator flashes when you need to refill the salt container.

1. Open the salt container lid.
2. Upon first use of the Hydrim L110w, pour approximately 1 litre (1 quart) of water into the salt container. It is not necessary to add water during subsequent refills of the salt container.
3. Using the accompanying salt jug, fill the salt container to the top (maximum of 1kg / 2.2 lbs.)
4. Close the salt container lid.

For all service and repair inquiries:

United States: 1-800-572-1211, Canada: 1-800-870-7777, International: (416) 446-4500

Email: techservice.ca@scican.com

Hydrim is a registered trademark of SciCan, Division of Lux & Zwingenberger Ltd.