

# QUANTIM<sup>®</sup> 16 Quick Reference Guide

A visual cycle indicator <b>1</b> shows the stages of the cycle:	
Stage A.	Pre-Vac / water fill
Stage B.	Heating and air bleed
Stage C.	Sterilizing
Stage D.	Depressurization / drying
Stage E.	Cycle complete the buzzer sounds 3 times.

## Important Points to Remember:

- Instruments should always be clean and free of debris and bioburden prior to sterilization.
- Fill the fresh water tank with distilled water.
- It is recommended that a chemical indicator strip be used with every cycle. If the chemical indicator strip fails to change after cycle, repeat cycle with new strip. If this occurs again then arrange for service and do not use the autoclave.

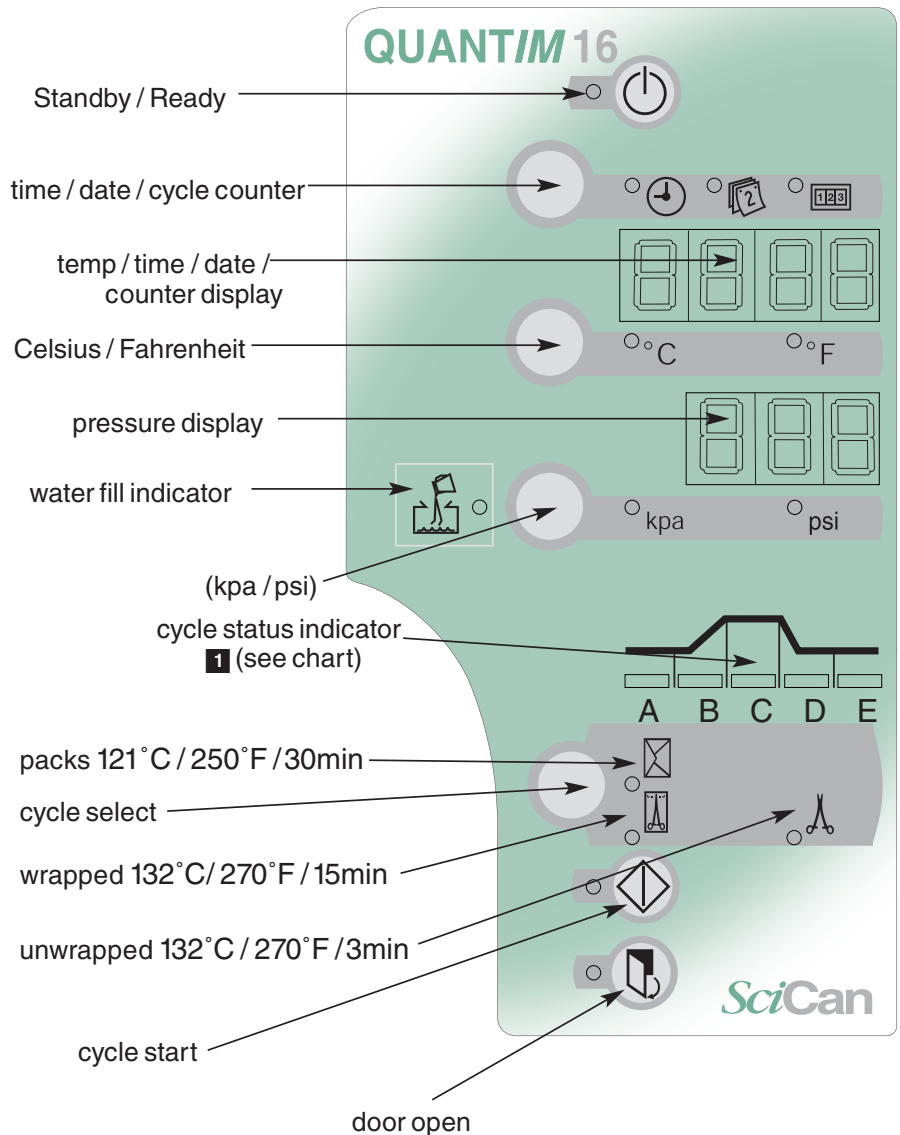
## Running a Cycle:

1. Clean and rinse all instruments.
2. Arrange the instruments on the tray so that they do not touch each other.
3. Use the pouch rack for pouches. This ensures their proper sterilization and drying.
4. Ensure that the top of the load does not strike the tray above nor the chamber ceiling.
5. Close the door by pushing until a 'click' is heard. The LED next to the door open button will light.
6. Press the cycle select button until the required cycle is selected.
7. Press cycle start button to start a fully automatic cycle.

## Abort Drying Cycle:

At the completion of each sterilization cycle, the unit automatically begins a vacuum drying cycle (approximately 30 minutes). The door open light flashes. Drying can be interrupted by pressing the door open button. The door will open automatically only when it is safe and '15' will appear on the display. Press Standby / Ready twice to reset.

At the end of the drying cycle the buzzer sounds 3 times. Press the door open button to open the door.



## Door Seal Gasket:

On a daily basis wipe the exposed surface of the gasket and the sealing surface of the chamber with warm soapy water, then plain water using a damp, lint free cloth. Wipe / rinse the gasket and vessel again with plain water to remove any residual soap. Repeat as needed.

If a leak is noted, remove the gasket and clean thoroughly in warm soapy water, rinse and shake dry. Do not wipe dry. Clean the door plate as well. If the leak persists replace the gasket.

To remove the gasket:

1. Undo the two dome nuts and remove both nuts and 'O' ring seals.
2. Remove the plate / gasket assembly, and gasket from the plate.
3. During re-assembly, place the "O" ring seal(s) under the head(s) of the dome nuts. Do not over tighten as this may damage the thread.

## Biological air filter:

Replace the air filter every 500 cycles or 6 months.

## Fresh water tank:

The manufacturer recommends the daily full draining of the unit to minimize any potential for biofilm formation. A drain fitting and tubing are provided to drain the reservoir. Detach the tubing from the retainer clip on the inside of the door and place the open end of the drain tubing into a container. Open the valve on the end of the tubing and fully drain reservoir. When empty, close the tubing valve and re-set tubing in retainer clip. Refill the reservoir with clean distilled water. The water fill indicator will flash if the water level is low. Press the Standby / Ready button to reset.

## Waste Bottle:

Empty waste bottle when full. Fill with tap water up to "MIN" level.

## Error Messages:

For any unusual condition a visual and audible indication will be given. Refer to the maintenance section of the Operator's Manual or call your authorized service technician.

## Recovery Sequence:

(allows instruments to be removed from the unit)

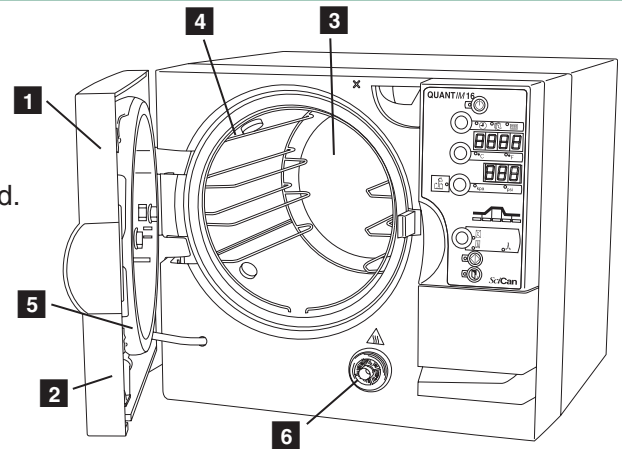
Press the Standby / Ready button twice to acknowledge the error and reset. The recovery may take several minutes if the cycle was aborted when hot. The door will be allowed to open only when the chamber temperature is below 88°C / 190.4°F.

## \*Abort Sterilization Cycle:

To abort a cycle after it has been started, do the following:

1. Press the Standby button. "Abt" will flash on the display.
2. If the Standby button is not pressed within 10 seconds, the display will revert back to normal and the cycle will continue.
3. If the Standby button is pressed a second time, the display will change to either:
  - Ready mode if temperature is below 95°C / 203°F
  - Recovery if temperature is above 95°C / 203°F. The chamber door cannot be opened until the temperature drops below 95°C / 203°F, when the door open LED will be illuminated and the door can be opened
4. On the next cycle the vacuum pump will not run prior to water fill.

\*The abort cycle function is for units with the serial number 0312XXXX and after.



- 1 main autoclave door
- 2 water tank drain
- 3 autoclave chamber
- 4 furniture rack
- 5 door gasket seal
- 6 Biological air filter

## Contact SciCan:

U. S. Inquiries: 1-800-572-1211 • Canada Inquiries: 1-800-870-7777 • [www.scican.com](http://www.scican.com) Email: [techservice.ca@scican.com](mailto:techservice.ca@scican.com)  
Quantim is a registered trademark of SciCan, Division of Lux and Zwingenberger Ltd.