

Instructions for use



CE
0297



alegra

Straight handpieces without light

HE-43, HE-43 T, HE-43 XT, HE-43 T SD, HE-43 T MW

Contra-angle handpieces without light

WE-56, WE-57, WE-66

WE-56 T, WE-56 XT, WE-56 T SD, WE-56 T MW,
WE-57 T, WE-57 XT, WE-57 T SD, WE-57 T MW, WE-66 T

Contents

Symbols	4
1. Introduction	6
2. Safety notes	9
3. Product description	12
4. Operation	14
Assembly/Removal	14
Assembly/Removal of the external coolant supply.....	16
To change rotary instruments	18
Test run	24
5. Hygiene and maintenance	25
General notes.....	25
Limitations on processing	27
Initial treatment at the point of use	28
Manual cleaning	29

Manual disinfection	32
Automated cleaning and disinfection	33
Drying	35
Inspection, Maintenance and Testing	36
Packaging	41
Sterilization.....	42
Storage	45
6. Servicing	46
7. Maintenance	47
8. Accessories, consumables, spare parts and other recommended medical devices by W&H.....	49
9. Technical data	51
10. Disposal	56
Explanation of warranty terms	57
Authorized W&H service partners.....	59



WARNING!
(risk of injury)



ATTENTION!
(to prevent
damage occurring)



General explanations,
without risk to
persons or objects



Do not dispose of
with domestic waste

Symbols

on the medical device / packaging



CE marking
with identification number
of the Notified Body



DataMatrix Code
for product information
including UDI (Unique
Device Identification)



Data structure in accordance
with Health Industry Bar Code



Catalogue number



Sterilizable up to the
stated temperature



UL Component Recognition
Mark indicates compliance
with Canadian and
U.S. requirements



Serial number



Medical Device



Date of manufacture



Thermo washer
disinfectable



Caution! Federal law restricts this device to sale by or on the order of a dentist, physician, veterinarian or with the descriptive designation of any other practitioner licensed by the law of the State in which the practitioner practices to use or order the use of the device.

1. Introduction

Customer satisfaction has absolute priority in the W&H quality policy. This medical device has been developed, manufactured and subjected to final inspection according to legal regulations, quality and industry standards.

For your safety and the safety of your patients

Prior to initial use please read the Instructions for use. These explain how to use your medical device and guarantee a smooth and efficient operation.



Observe the safety notes.

Intended use / indications for use (only for USA)

The dental handpiece/contra-angle is intended for the following applications: Removal of decayed materials, cavities and crown preparation, removal of fillings, finishing and polishing of tooth and restoration surfaces.



Misuse may damage the medical device and hence cause risks and hazards for patient, user and third parties.



Qualifications of the user

We have based our development and design of the medical device on the dentists, dental hygienists, dental employees (prophylaxis) and dental assistants target group.

Responsibility of the manufacturer

The manufacturer can only accept responsibility for the safety, reliability and performance of the medical device when it is used in compliance with the following directions:

- > The medical device must be used in accordance with these Instructions for use.
- > Only the components approved by the manufacturer may be replaced by the user (contra-angle head).
- > Modifications or repairs must only be undertaken by an authorized W&H service partner (see page 59).



Skilled application

The medical device is intended only for skilled application according to the intended use as well as in compliance with the valid health and safety at work regulations, the valid accident prevention regulations and in compliance with these Instructions for use.

The medical device should be prepared for use and maintained by staff who have been trained in procedures for infection control, personal safety and patient safety.

Improper use, (e.g., through poor hygiene and maintenance), non-compliance with our instructions or the use of accessories and spare parts which are not approved by W&H, invalidates all claims under warranty and any other claims.



Any serious incident that has occurred in relation to the medical device should be reported to the manufacturer and the competent authority!



- > Always ensure the correct operating conditions and cooling function.
- > Always ensure that sufficient and adequate cooling is delivered and ensure adequate suction.
- > In case of coolant supply failure, the medical device must be stopped immediately.
- > Use only filtered, oil-free and cooled air supplied by dental compressors to operate the medical device.
- > Check the medical device for damage and loose parts each time before using (e.g., push-button).
- > Do not operate the medical device if it is damaged.
- > Perform a test run each time before using.
- > Avoid overheating at the treatment site.
- > Do not lift the cheek or tongue with the medical device. Risk of burning due to the push-button heating up!
- > Do not touch the soft tissue with the head of the medical device. Risk of burning if the medical device overheats!
- > It is imperative to comply with the concentrations and exposure times specified by the manufacturer of the treatment water decontamination system, as well as its handling.



- > Before using the medical device for the first time, store it at room temperature for 24 hours.
- > The operation of the medical device is permitted only on supply units which correspond to the standards IEC 60601-1 (EN 60601-1) and IEC 60601-1-2 (EN 60601-1-2).

Hygiene and maintenance prior to initial use



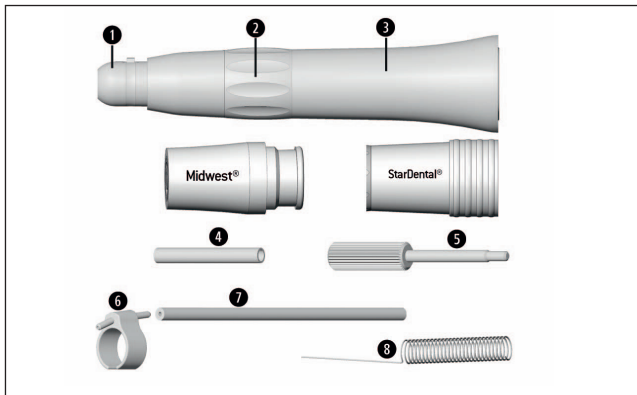
- > The medical device is sealed in PE film and not sterilized when delivered.
- > The PE film and the packaging are non-sterilizable.



- > Clean, disinfect and lubricate the medical device.
- > Sterilize the medical device, the nozzle cleaner, the bur limit stop and threaded pin.

3. Product description

Straight handpiece

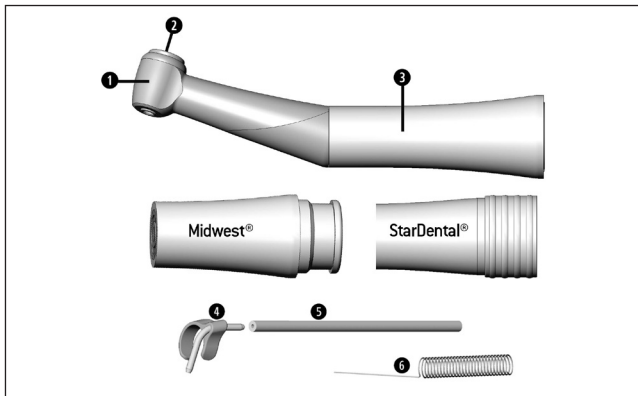


- 1 Handpiece head
- 2 Chuck ring
- 3 Sheath
- 4 Bur extension
- 5 Threaded pin

Accessories

External coolant supply

- 6 Spray clip
- 7 Coolant hose
- 8 Nozzle cleaner

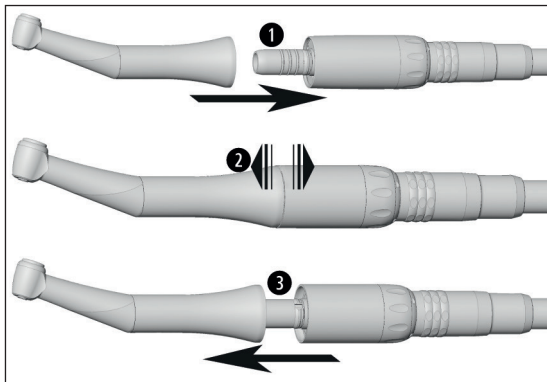


- 1 Contra-angle head
- 2 Push-button
- 3 Sheath

Accessories

External coolant supply

- 4 Spray clip
- 5 Coolant hose
- 6 Nozzle cleaner



ISO connection / Midwest® connection



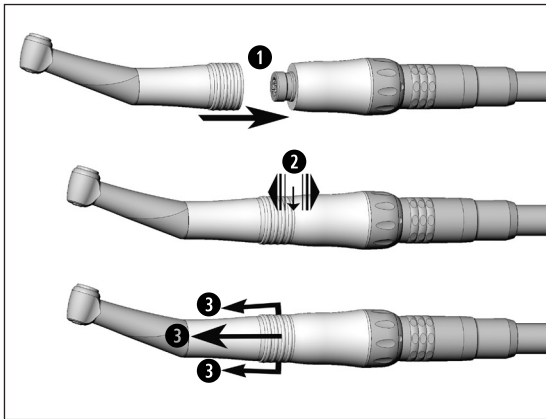
Do not assemble or remove the medical device during operation!

❶ Push the medical device onto the motor.



❷ Verify full engagement

❸ Pull the medical device [or press the locking sheath (Midwest®)] to remove it from the motor.



StarDental® connection



Do not assemble or remove the medical device during operation!

- ① Push the medical device onto the motor.

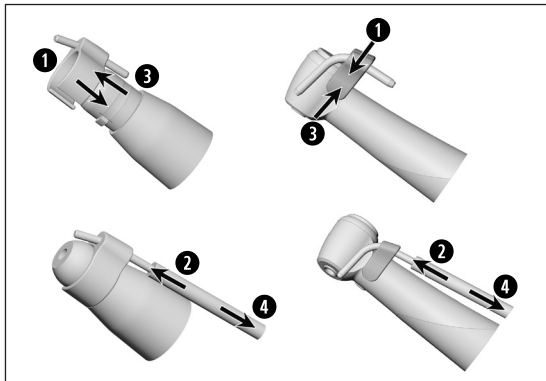


② Verify full engagement

- ③ Pull the retention sleeve of the handpiece back to remove the medical device from the motor.

Operation

Assembly/Removal of the external coolant supply



Spray clip / Coolant hose (accessories)

- 1 Attach the spray clip.
- 2 Insert the coolant hose onto the coolant tube of the spray clip.

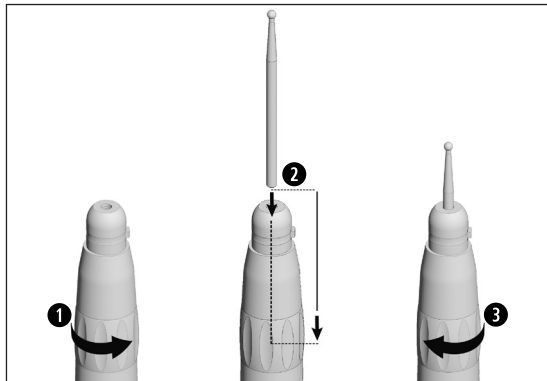
or

- 3 Remove the spray clip.
- 4 Remove the coolant hose.

Rotary instruments



- > Use only rotary instruments which are in perfect condition. Follow the operating instructions of the manufacturer.
- > Insert the rotary instrument only when the medical device is stationary.
- > Never touch the rotary instrument while it is still rotating.
- > Do not activate the chucking system of the medical device during operation. This leads to detachment of the rotary instrument, damage to the chucking system and/or heating up of the medical device. Risk of burning!



Straight handpiece

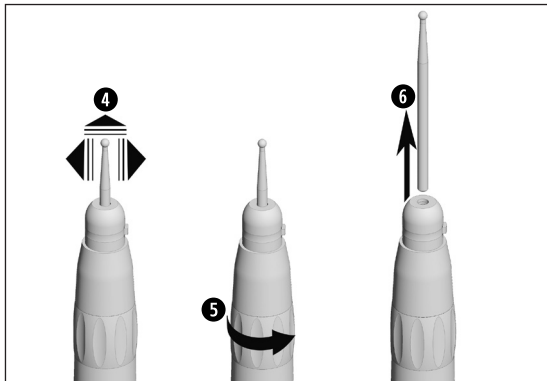
- > Handpiece bur
- > Instrument shaft diameter 2.35 mm



To open the chucking system: Turn the chuck ring to the left

To close the chucking system: Turn the chuck ring to the right

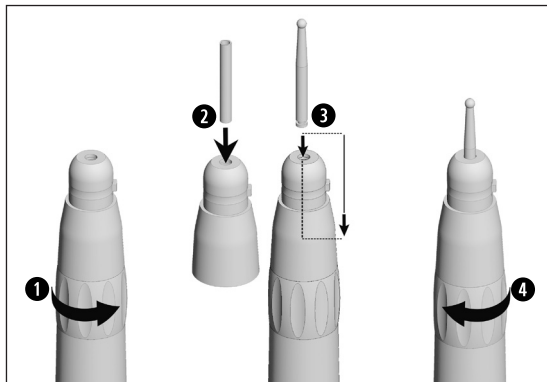
- 1** Open the chucking system.
- 2** Insert the rotary instrument until back stop.
- 3** Close the chucking system.



4 Verify full engagement

or

- 5** Open the chucking system.
- 6** Remove the rotary instrument.
Close the chucking system



Straight handpiece

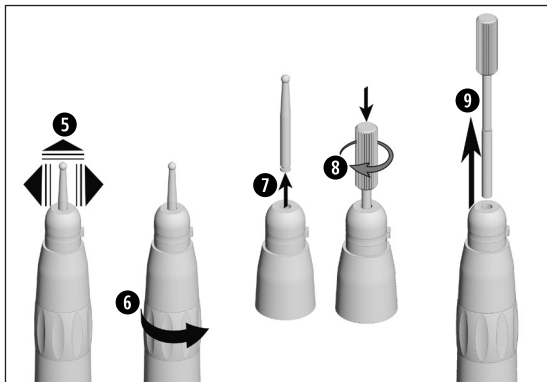
- > Contra-angle bur
- > Instrument shaft diameter 2.35 mm



To open the chucking system: Turn the chuck ring to the left

To close the chucking system: Turn the chuck ring to the right

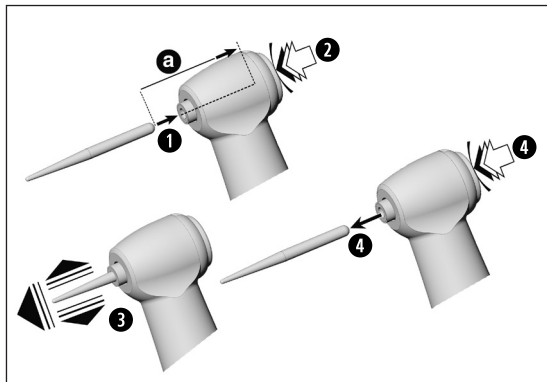
- 1 Open the chucking system.
- 2 Insert the bur extension.
- 3 Insert the rotary instrument until back stop.
- 4 Close the chucking system.



5 Verify full engagement

or

- 6** Open the chucking system.
- 7** Remove the rotary instrument.
- 8** Screw the threaded pin into the bur extension.
- 9** Pull out the bur extension.
Close the chucking system



Contra-angle handpiece

WE-57 / WE-57 T / WE-57 XT / WE-57 T MW / WE-57 T SD

> Instrument shaft diameter 1.6 mm

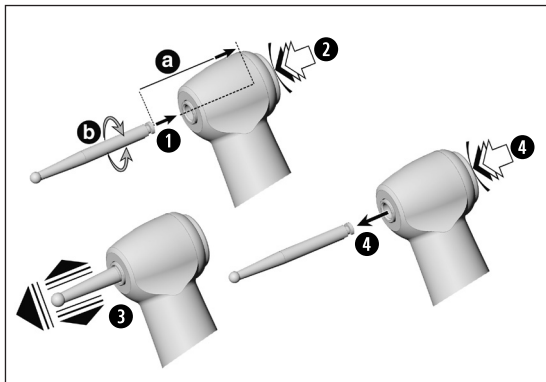
- 1** Insert the rotary instrument.
- 2** Activate the push-button, at the same time insert the rotary instrument until back stop (a).



- 3** Verify full engagement

or

- 4** Activate the push-button and remove the rotary instrument.



Contra-angle handpiece

WE-56 / WE-56 T / WE-56 XT / WE-56 T MW / WE-56 T SD

WE-66 / WE-66 T

> Instrument shaft diameter 2.35 mm

- 1 Insert the rotary instrument until back stop [a].
- 2 Activate the push-button and turn the rotary instrument until it engages [b].



- 3 Verify full engagement

or

- 4 Activate the push-button and remove the rotary instrument.

Test run



Do not hold the medical device at eye level.

- > Insert the rotary instrument.
- > Start the medical device.



In the event of operating malfunctions (e.g., vibrations, unusual noise, overheating, coolant failure or leakage) **stop the medical device immediately** and contact an authorized W&H service partner.



Follow your local and national laws, directives, standards and guidelines for cleaning, disinfection and sterilization.



> The information on the validated reprocessing procedures serves as an example of an ISO 17664 compliant processing of the medical device.



> Wear protective clothing, safety glasses, face mask and gloves.



> Use only oil-free, filtered compressed air with a maximum operating pressure of 3 bar (43.5 psi) for manual drying.

Cleaning agents and disinfectants



- > Read the notes, follow the instructions and heed the warnings provided by the manufacturers of cleaning agents and/or disinfectants.
- > Use only detergents which are intended for cleaning and/or disinfecting medical devices made of metal and plastic.
- > It is imperative to comply with the concentrations and exposure times specified by the manufacturer of the disinfectant.
- > Use disinfectants which have been tested and found effective by, for example: the Verbund für Angewandte Hygiene e.V. (VAH = Association for Applied Hygiene), the Österreichischen Gesellschaft für Hygiene, Mikrobiologie und Präventivmedizin (ÖGHMP = Austrian Society for Hygiene, Microbiology and Preventive Medicine), the Food and Drug Administration (FDA) or the U.S. Environmental Protection Agency (EPA).



The user is responsible for validating its process if the specified cleaning agents and disinfectants are not available.



The product lifetime and the medical device's ability to operate correctly are mainly determined by mechanical stress during use and chemical influences due to processing.

- > Send worn or damaged medical devices and/or medical devices with material changes to an authorized W&H service partner.

Processing cycles



- > We recommend a regular service for the W&H medical device after 1,000 processing cycles or one year.



Clean the medical device immediately after every treatment, to flush out liquid (e.g., blood, saliva etc.) and to prevent settling on the internal parts.

- > Operate the medical device for at least 10 seconds at idle speed.
- > Ensure that all outlets are rinsed out.



- > Wipe the entire surface of the medical device with disinfectant.
- > Remove the rotary instrument.
- > Remove the medical device.

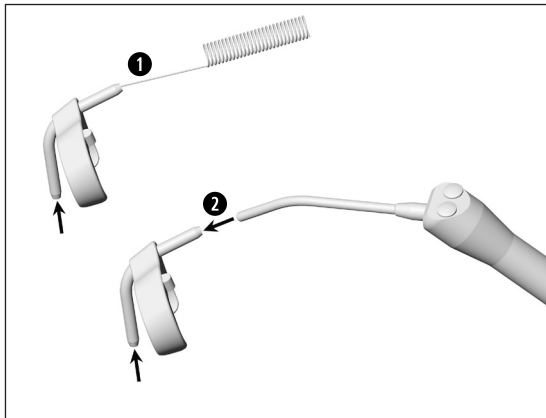


Note that the disinfectant used during pre-treatment is only for personal protection and cannot replace the disinfection step after cleaning.




Do not place the medical device in liquid disinfectant or in an ultrasonic bath.


- > Clean the medical device under running tap water (< 35°C / < 95°F).
- > Rinse and brush off all internal and external surfaces.
- > Move moving parts back and forth several times.
- > Remove any liquid residues using compressed air.
- > When using the external coolant supply, remove the spray clip and the coolant hose.

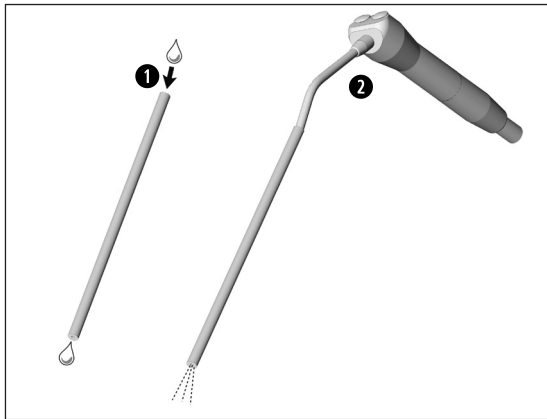


Cleaning of the external coolant tubes Spray clip (accessory)

- 1 Clean coolant outlets carefully with the nozzle cleaner to remove dirt and deposits.
- 2 Blow through the coolant outlets with the air syringe.

 Clean and disinfect the nozzle cleaner in an ultrasonic bath / disinfection bath.

 In the case of blocked coolant outlets or coolant tubes contact an authorized W&H service partner.



Coolant hose (accessory)

- ① Rinse with tap water (< 35°C / <95°F).
- ② Remove any liquid residues using compressed air.



W&H recommends wiping down with disinfectant.



Evidence of the medical device's basic suitability for effective manual disinfection was provided by an independent test laboratory using the disinfectants "mikrozid® AF wipes" (Schülke & Mayr GmbH, Norderstedt) and "CaviWipes™" (Metrex).

Automated cleaning and disinfection for **WE-56, WE-56 XT, WE-57, WE-57 XT, WE-66, HE-43, HE-43 XT** only.



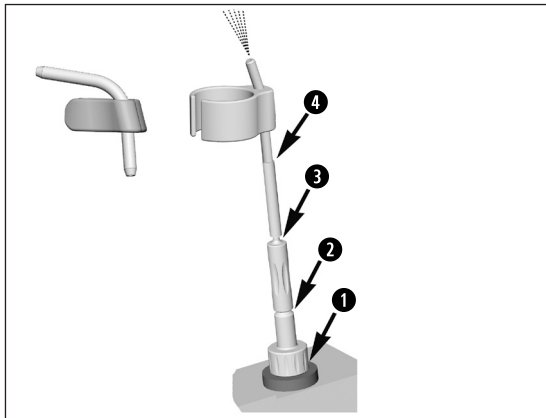
W&H recommends automated cleaning and disinfection using a washer-disinfector (WD).

- > Read the notes, follow the instructions and heed the warnings provided by the manufacturers of washer-disinfectors, cleaning agents and/or disinfectants.




Evidence of the medical device's basic suitability for effective automated disinfection was provided by an independent test laboratory using the "Miele PG 8582 CD" washer-disinfector (Miele & Cie. KG, Gütersloh) and the "Dr. Weigert neodisher® MediClean forte" cleaning agent (Dr. Weigert GmbH & Co. KG, Hamburg) according to ISO 15883.

- > Cleaning at 55°C (131°F) – 5 minutes
- > Disinfection at 93°C (200°F) – 5 minutes



Automated cleaning and disinfection of the spray clip (accessory)

 Use the W&H adaptor kit REF 07233500 for the thermo washer disinfecter.

- 1 Screw the W&H adaptor into the adaptor on the injector rail.
- 2 Screw the W&H intermediate adaptor onto the W&H adaptor.
- 3 Put the W&H silicone hose over the W&H intermediate adaptor.
- 4 Insert the spray clip into the W&H silicone hose.



- > Ensure that the medical device is completely dry internally and externally after cleaning and disinfection.
- > Remove liquid residues using compressed air.

Inspection



- > Check the medical device after cleaning and disinfection for damage, visible residual soiling and surface changes.
- > Reprocess any medical devices that are still soiled.
- > Sterilize the medical device following cleaning, disinfection and lubrication.

Lubrication



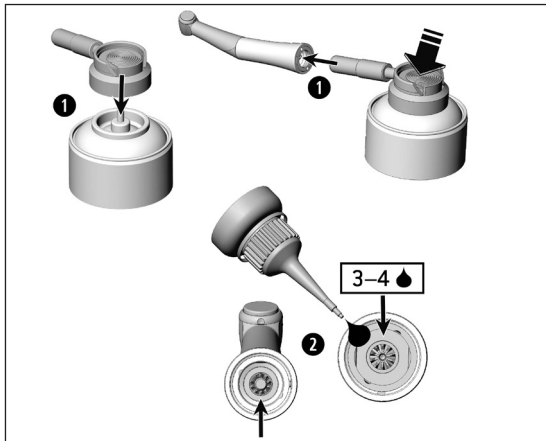
> Lubricate the dry medical device immediately after cleaning and/or disinfection.

Recommended lubrication cycles

- > Essential after every internal cleaning
- > Before each sterilization

or

- > After 30 minutes of use or once a day
- > chucking system once a week



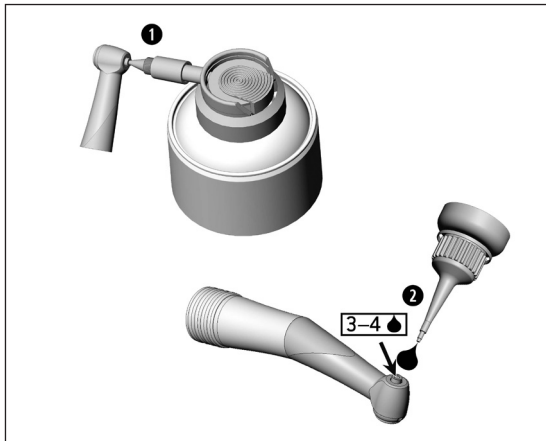
Lubrication

- 1 With W&H Service Oil F1, MD-400
(not applicable for StarDental® handpieces)
> Follow the instructions on the oil spray can and on the packaging.

- 2 With W&H Service Oil F1, MD-30
> Place 3 to 4 drops into the medical device.
or

With W&H Assistina

- > Follow the instructions in the Assistina Instructions for use.
- > Use the appropriate W&H adaptor (accessory).



Lubrication of the chucking system

WE-57 / WE-57 T / WE-57 XT / WE-57 T MW / WE-57 T SD

❶ With W&H Service Oil F1, MD-400

- > Fit the spray cap REF 02036100 onto the oil spray can.
- > Hold the medical device firmly.
- > Press the tip of the spray nozzle firmly into the chucking system.
- > Spray for approximately 1 second.

❷ With W&H Service Oil F1, MD-30

- > Place 3 to 4 drops into the chucking system.

or

With W&H Assistina

- > Follow the instructions in the Assistina Instructions for use.

Test after lubrication



- > Direct the medical device downwards.
- > Operate the medical device so that excess oil can escape.
- > Excess oil may result in the medical device overheating.



Pack the medical device and the accessories in sterilization packages that meet the following requirements:

- > The sterilization package must meet the applicable standards in respect of quality and use and must be suitable for the sterilization method.
- > The sterilization package must be large enough for the sterilization goods.
- > The filled sterilization package must not be under tension.



W&H recommends sterilization according to EN 13060, EN 285 or ANSI/AAMI ST55.



- > Read the notes, follow the instructions and heed the warnings provided by the manufacturers of steam sterilizers.
- > The program selected must be suitable for the medical device.

When using the external coolant supply



- > Pull off the spray clip and the coolant hose from the medical device before sterilizing.
- > Sterilize the spray clip / coolant hose and the medical device.

Recommended sterilization procedures

- > “Dynamic-air-removal prevacuum cycle” (type B) / “Steam-flush pressure-pulse cycle” (type S)*/**
134°C (273°F) for at least 3 minutes, 132°C (270°F) for at least 4 minutes
- > “Gravity-displacement cycle” (type N)**
121°C (250°F) for at least 30 minutes
- > Maximum sterilization temperature 135°C (275°F)



Evidence of the medical device's basic suitability for effective sterilization was provided by an independent test laboratory using the LISA 517 B17L* steam sterilizer (W&H Sterilization S.r.l., Brusaporto (BG)), the Systec VE-150* steam sterilizer (Systec) and the CertoClav MultiControl MC2-S09S273** steam sterilizer (CertoClav GmbH, Traun).

“Dynamic-air-removal prevacuum cycle” (type B): 134°C (273°F) – 3 minutes*, 132°C (270 °F) – 4 minutes*/**
“Steam-flush pressure-pulse cycle” (type S): 134°C (273°F) – 3 minutes*, 132°C (270 °F) – 4 minutes*/**
“Gravity-displacement cycle” (type N): 121°C (250°F) – 30 minutes**

Drying times:

“Dynamic-air-removal prevacuum cycle” (type B): 132°C (270°F) – 30 minutes**
“Steam-flush pressure-pulse cycle” (type S): 132°C (270°F) – 30 minutes**
“Gravity-displacement cycle” (type N): 121°C (250°F) – 30 minutes**

* EN 13060, EN 285, ISO 17665

** ANSI/AAMI ST55, ANSI/AAMI ST79



- > Store sterile goods dust-free and dry.
- > The shelf life of the sterile goods depends on the storage conditions and type of packaging.

6. Servicing

Repairs and returns

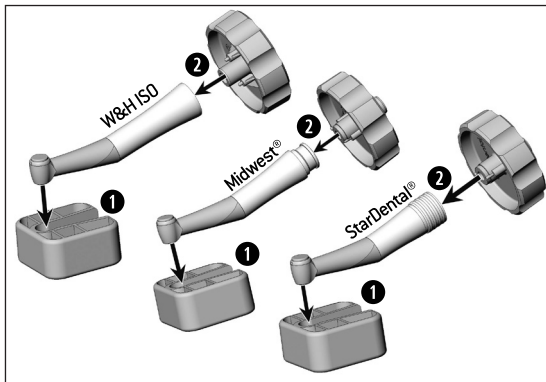
- > In the event of operating malfunctions immediately contact an authorized W&H service partner.
- > Repairs and maintenance work must only be undertaken by an authorized W&H service partner.
Only the components approved by the manufacturer may be replaced by the user (contra-angle head).





- > Ensure that the medical device has been completely processed before returning it.

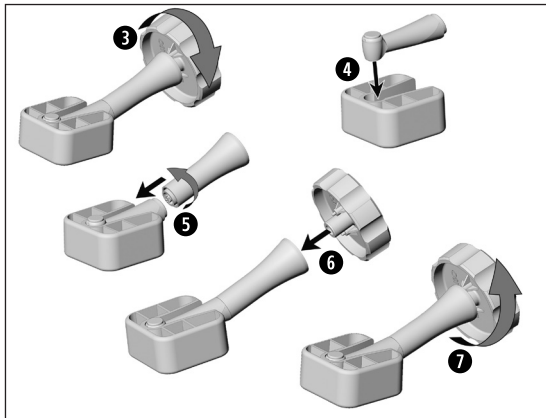
7. Maintenance

Replacing the contra-angle head



-  > Do not operate the contra-angle handpiece if it is damaged.
 - > Replace a damaged contra-angle head immediately.

 -  > Use the tool kit REF 07550301 [accessory].
 - > Use the key side with the inscription "W&H ISO" or "Midwest®/StarDental®".
- 1** Push the contra-angle head into the clamping system.
 - 2** Insert the key into the aperture of the sheath.



- ③ Unscrew the sheath from the contra-angle head.
- ④ Put the new contra-angle head into the clamping system.
- ⑤ Screw the sheath onto the new contra-angle head.
- ⑥ Insert the key into the aperture of the sheath.
- ⑦ Tighten the contra-angle head with the key.

> Perform a test run.



> Repeat the complete hygiene and maintenance process.

8. Accessories, consumables, spare parts and other recommended medical devices by W&H



Use only original W&H accessories and spare parts or accessories approved by W&H.

Suppliers: W&H partners

000301xx	W&H Assistina
30310000	Assistina TWIN (MB-302)
02693000	Assistina adaptor for chucking system
03103500	Assistina adaptor for W&H and Midwest® handpieces
07535400	Assistina adaptor for StarDental® handpieces
03304500	Service Oil F1, MD-30
10940021	W&H Service Oil F1, MD-400 (6 pcs)
02038200	Spray adaptor for straight/contra-angle handpieces
02036100	Spray adaptor for chucking system
07233500	Adaptor kit for the thermo washer disinfector

Accessories, consumables, spare parts and other recommended medical devices by W&H

02015101	Nozzle cleaner
01312500	Bur limit stop
01312600	Threaded pin
07549900	Contra-angle head for WE-56
07550000	Contra-angle head for WE-57
07550100	Contra-angle head for WE-66
07550301	Tool kit for replacing of contra-angle heads: key, clamping system
07550200	Spray clip with 3 coolant hoses and nozzle cleaner for straight handpieces
06994000	Spray clip with 3 coolant hoses and nozzle cleaner for contra-angle handpieces

9. Technical data

Straight handpiece	HE-43 / HE-43 T / HE-43 XT	HE-43 T MW	HE-43 T SD
Transmission ratio	1:1		
Outer diameter of the sheath (mm)	20 / 18 / 16	18	
Motor connection according to standard	ISO 3964	Midwest®*	StarDental®*
Maximum drive speed (min ⁻¹)	40,000		

Rotary instruments	
Instrument shaft diameter ISO 1797 (mm)	2.35
Maximum permitted length for handpiece burs * (mm)	50
Minimum chucking length for handpiece burs	until back stop
Maximum permitted length for contra-angle burs * (mm)	34
Minimum chucking length for contra-angle burs with bur extension	until back stop

* see page 54

Technical data

Contra-angle handpiece		WE-56 / WE-56 T / WE-56 XT	WE-57 / WE-57 T / WE-57 XT	WE-66 / WE-66 T
Transmission ratio		1:1	1:1	4:1
Outer diameter of the sheath (mm)		20 / 18 / 16	20 / 18 / 16	20 / 18
Motor connection according to standard		ISO 3964		
Max. motor speed (min ⁻¹)		40,000		
Rotary instruments				
Instrument shaft diameter	ISO 1797 (mm)	2.35	1.6	2.35
Max. permitted bur length *	(mm)	34	25	34
Min. chucking length		engaging	until back stop	engaging

* see page 54

Technical data

Contra-angle handpiece	WE-56 T MW	WE-56 T SD	WE-57 T MW	WE-57 T SD
Transmission ratio	1:1			
Outer diameter of the sheath (mm)	18			
Motor connection according to standard	Midwest®*	StarDental®*	Midwest®*	StarDental®*
Max. motor speed (min ⁻¹)	40,000			
Rotary instruments				
Instrument shaft diameter ISO 1797 (mm)	2.35		1.6	
Max. permitted bur length *	34		25	
Min. chucking length	engaging		until back stop	

* see page 54



- * When using longer rotary instruments the user must ensure by correct selection of the operating conditions, that there is no danger to the user, patient or third parties.
For safe use, follow the respective manufacturer's instructions regarding maximum speed of the rotating instrument.

* Midwest® is a registered trademark of Dentsply International Inc.

* StarDental® is a registered trademark of DENTALEZ Inc.

min⁻¹ (Revolutions per minute)



Temperature information

Temperature of the medical device on the operator side:

maximum 55°C (131°F)

Temperature of the medical device on the patient side:

maximum 50°C (122°F)

Temperature of the working part (rotary instrument):

maximum 41°C (105.8°F)

Ambient conditions

Temperature during storage and transport:

-40°C to +70°C (-40°F to +158°F)

Humidity during storage and transport:

8% to 80% (relative), non-condensing

Temperature during operation:

+10°C to +35°C (+50°F to +95°F)

Humidity during operation:

15% to 80% (relative), non-condensing

10. Disposal



Ensure that the parts are not contaminated on disposal.



Follow your local and national laws, directives, standards and guidelines for disposal

> Medical device

> Packaging

Explanation of warranty terms

This W&H medical device has been manufactured with great care by highly qualified specialists. A wide variety of tests and controls guarantees faultless operation. Please note that claims under warranty can only be validated when all the directions in the Instructions for use have been followed.

As the manufacturer, W&H is liable for material or manufacturing defects within a warranty period of 12 months from the date of purchase. Accessories and consumables (nozzle cleaner, threaded pin, bur limit stop) are excluded from the warranty.

We accept no responsibility for damage caused by incorrect handling or by repairs carried out by third parties not authorized to do so by W&H!

Claims under warranty accompanied by proof of purchase, must be sent to the vendor or to an authorized W&H service partner. The provision of service under warranty extends neither the warranty period nor any other guarantee period.

12 months warranty

Authorized W&H service partners

Find your nearest authorized W&H service partner at <http://wh.com>
Simply go to the menu option “Service” for full details.

Or simply scan the QR code.



Manufacturer

W&H Dentalwerk Bürmoos GmbH

Ignaz-Glaser-Straße 53, 5111 Bürmoos, Austria

**t + 43 6274 6236-0,
office@wh.com**

**f + 43 6274 6236-55
wh.com**

**Form-Nr. 50822 AEN
Rev. 006 / 20.09.2022
Subject to alterations**